

Frost[®] Links, Inc.

LOG CHAIN PURCHASING GUIDE



CREATING INNOVATIONS IN THE POULTRY PROCESSING INDUSTRY

Frost[®] Links, Inc.

Step 1: Choose Your Chain

Log Chain is available in the following finishes:

- 1.) Yellow Zinc Di-Chromate Plating
- 2.) Silver Zinc Plating



At this time, Log Chain is only available with a Galvanized finish

Step 2: Choose Your Brackets and Hardware

The second step in the ordering process is to determine what type of plating you want for your brackets and hardware.

Trolleys come in the following finishes:

- 1.) Stainless Steel
- 2.) Yellow Zinc Di-Chromate Plating
- 3.) Silver Zinc Plating



Frost[®] Links, Inc.

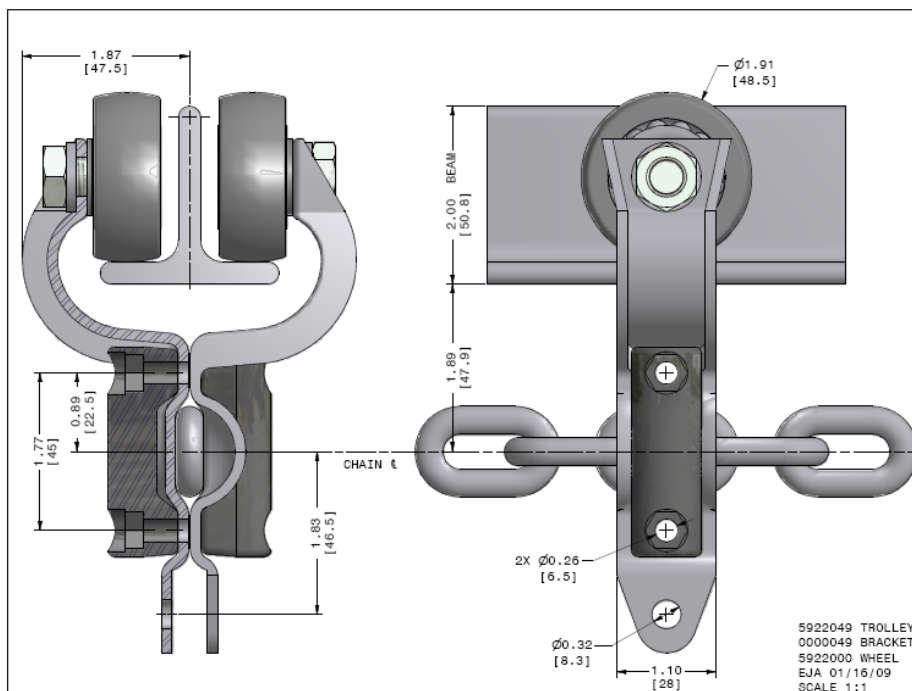
Step 3: Choose Your Chain Configuration

The third step in the ordering process is to determine which chain configuration you require for your system.

You can choose from 6", 8" and 12", or the chain can be configured to fit your individual requirements.



Log Chain Engineering Drawings



Frost[®] Links, Inc.

Log Chain Purchasing Guide

TO PLACE AN ORDER OR FOR MORE INFORMATION,
PLEASE CONTACT A MEMBER OF OUR FROST SALES TEAM.



FROST[®] LINKS, INC.

2900 NORTHRIDGE, N.W.
GRAND RAPIDS, MI 49544 USA
TEL: 616.785.9030 OR FAX: 616.785.9430
E-MAIL: SALES@FROSTLINKS.COM
1.888.244.0920
WWW.FROSTLINKS.COM

All of the products shown are products of Frost[®].
Frost[®] is a registered trademark of Frost[®] Incorporated
©Copyright 2008 by Frost[®] Incorporated
Rev. LC 02.03.08

